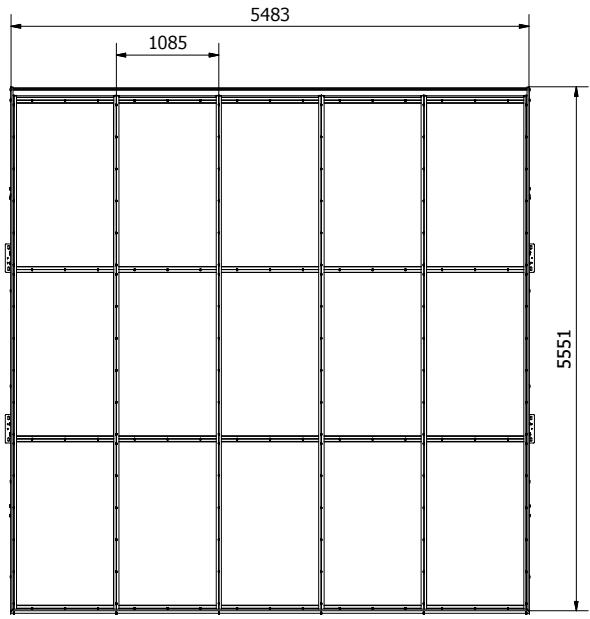
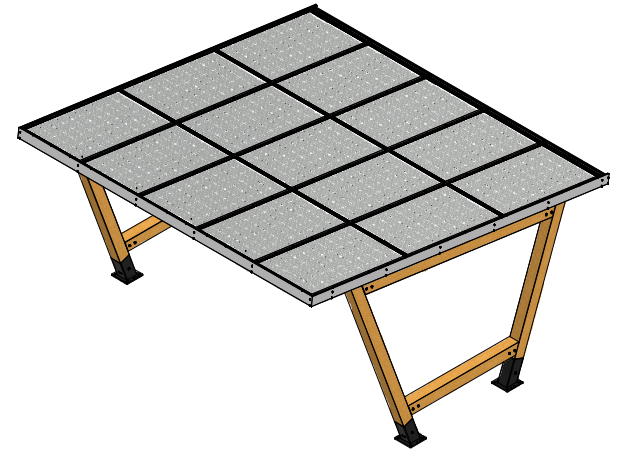
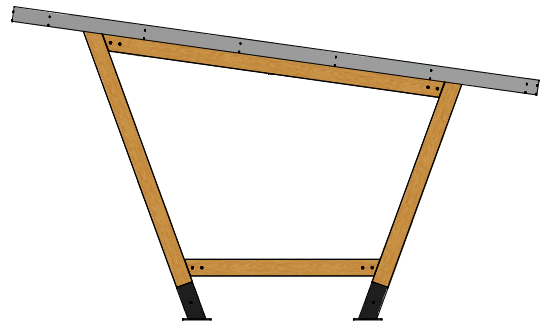
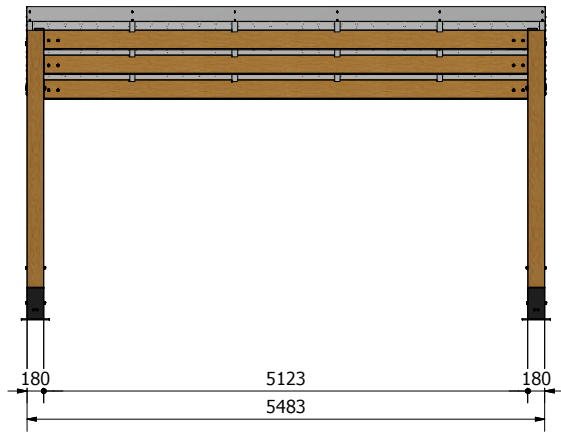

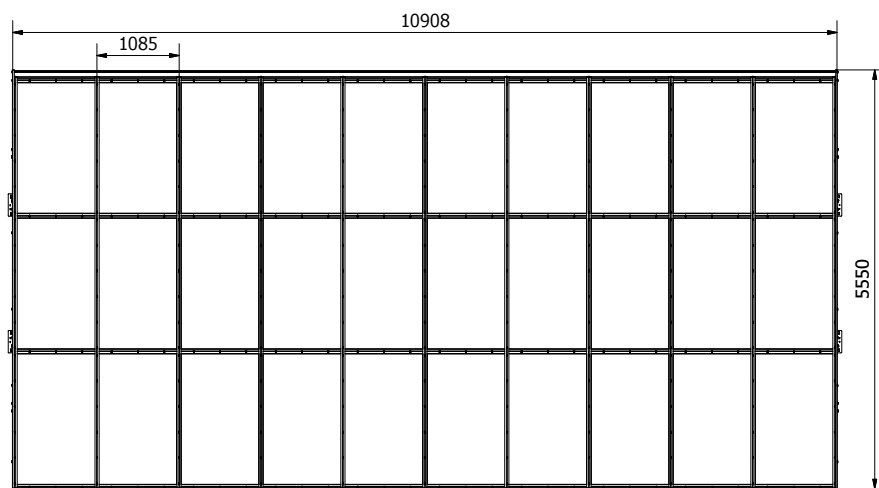
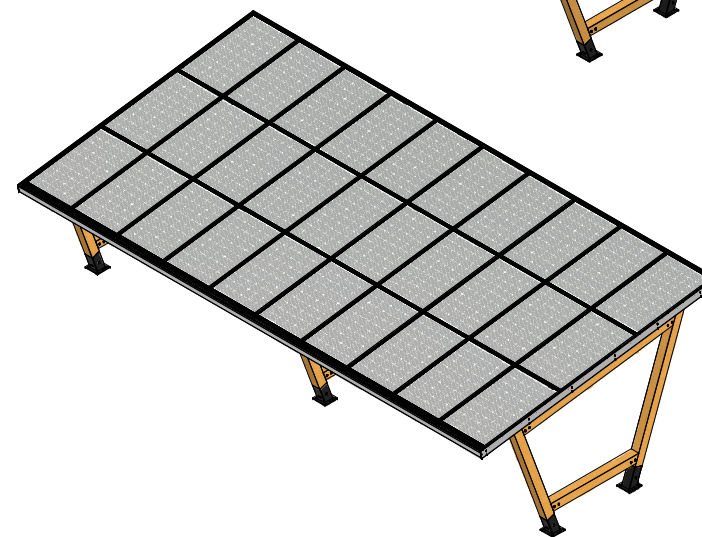
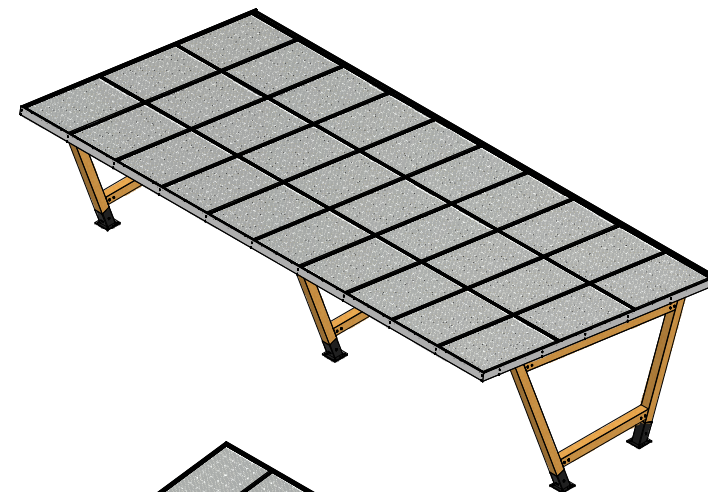
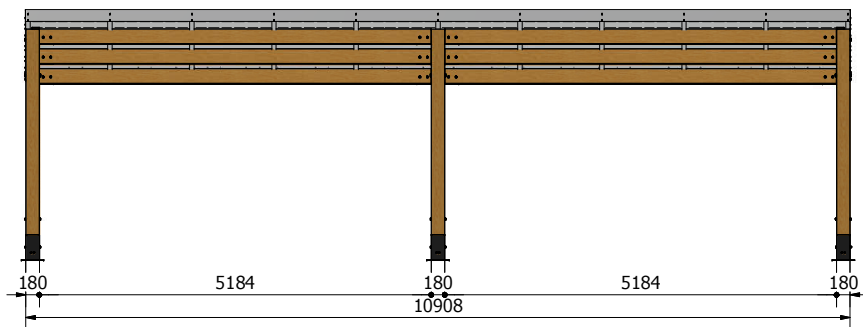



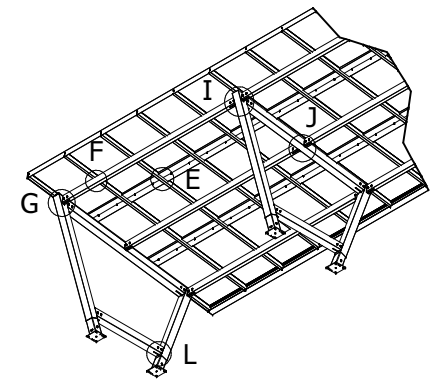
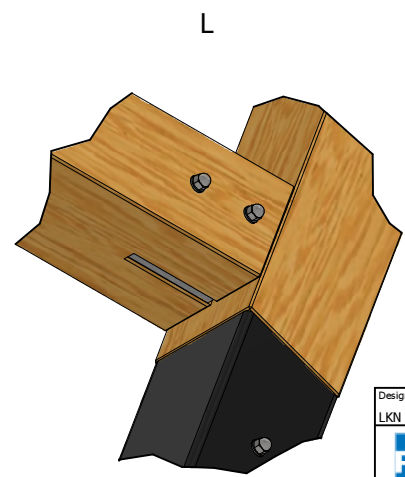
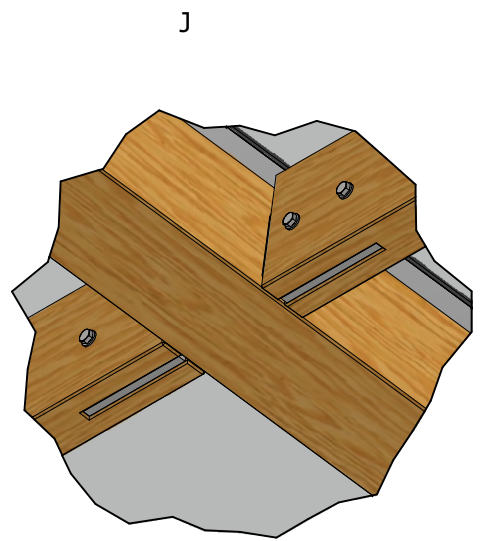
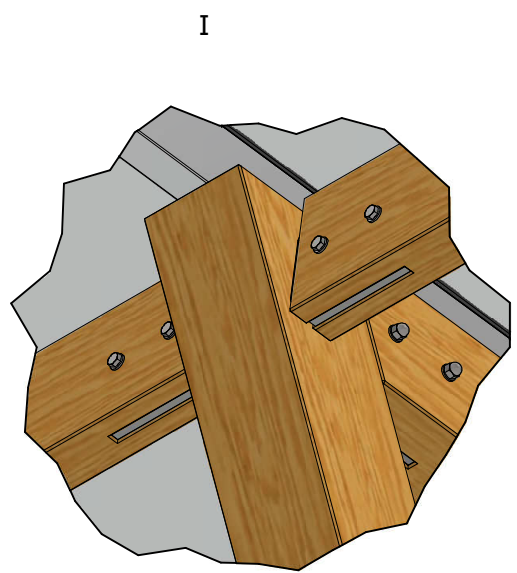
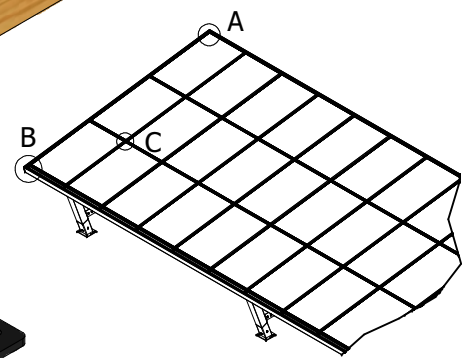
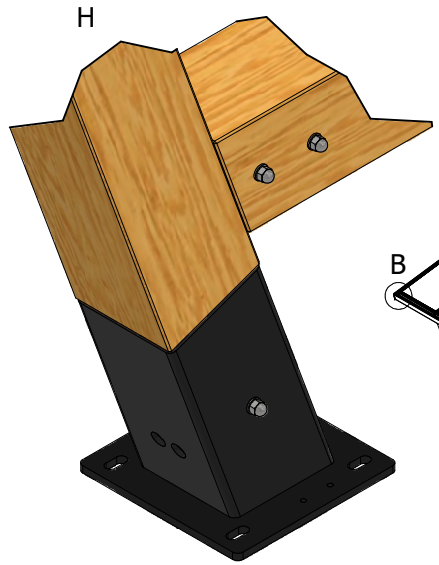
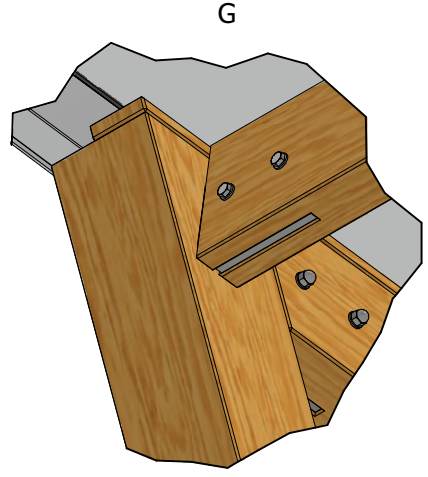
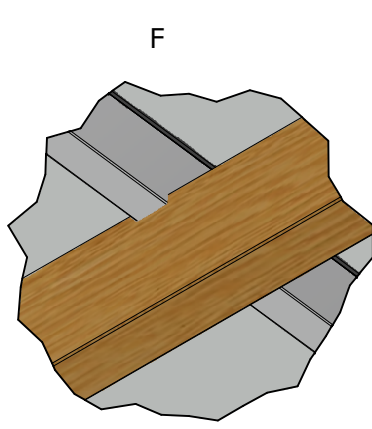
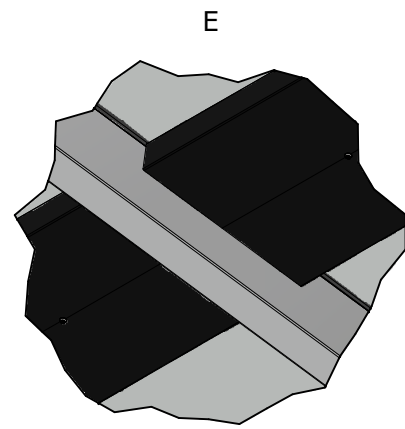
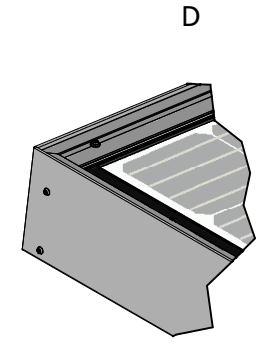
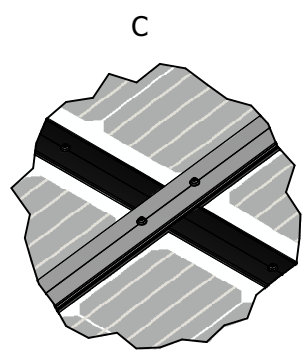
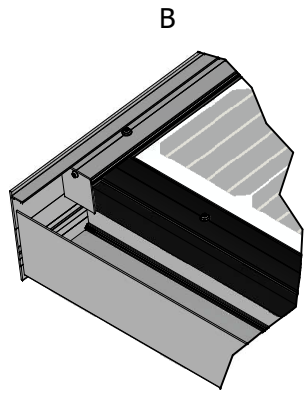
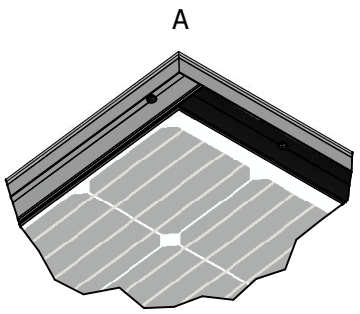
Designed by		Date	20-1-2023
LKN		Solardok Detail tekening	
			Sheet 1 / 2




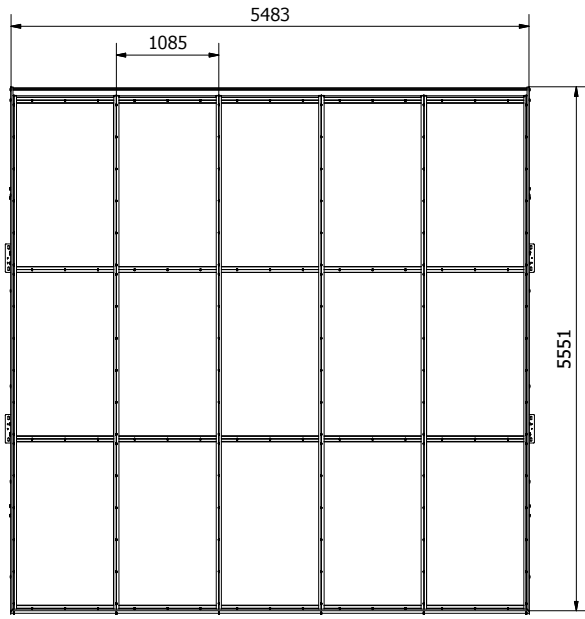
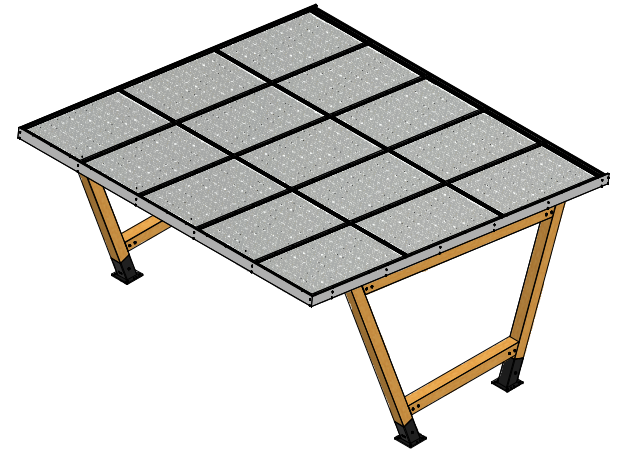
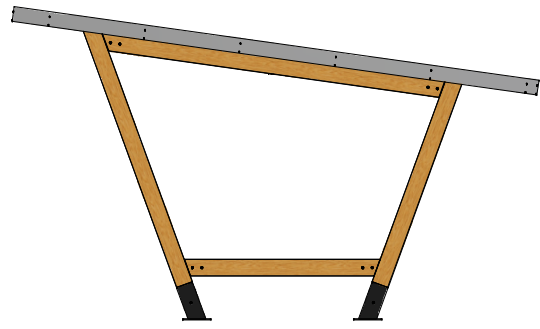
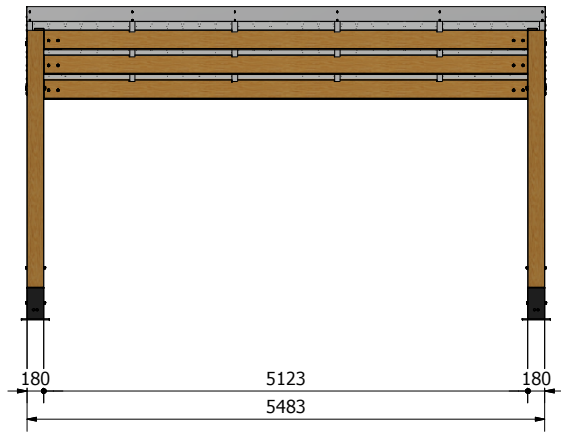
Designed by	Checked by	Approved by	Date	Date
LKN			28-11-2022	
			Solardok Carport	
			Schaal 1:50	Sheet




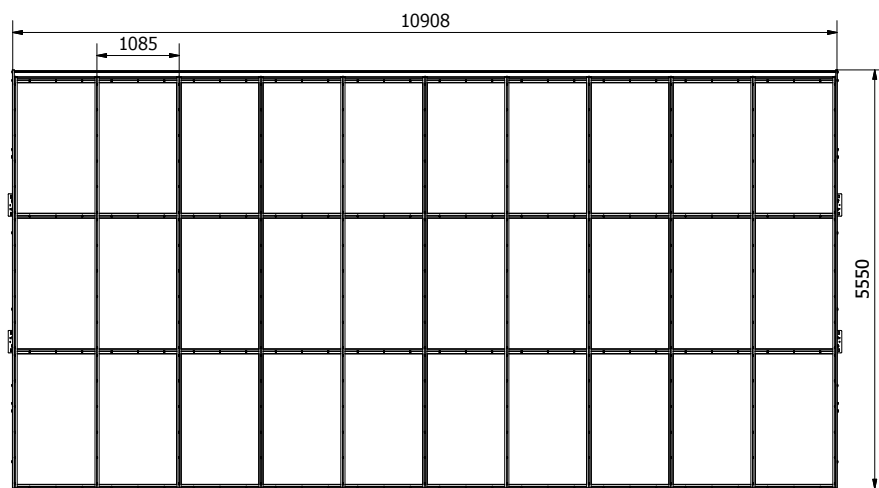
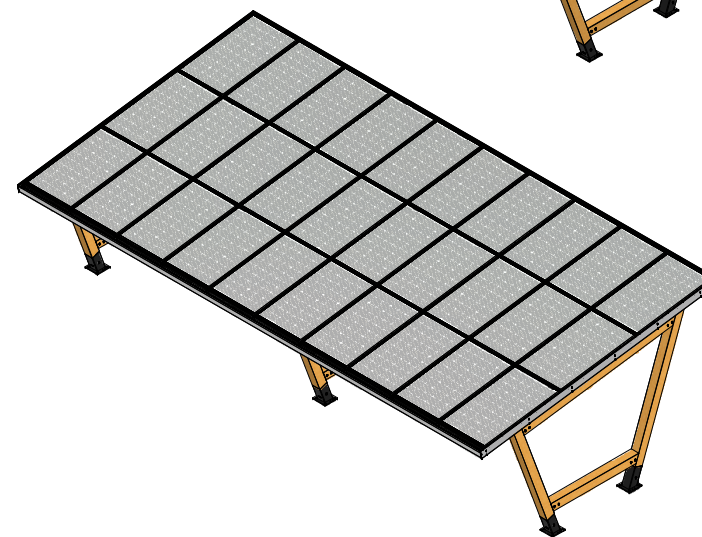
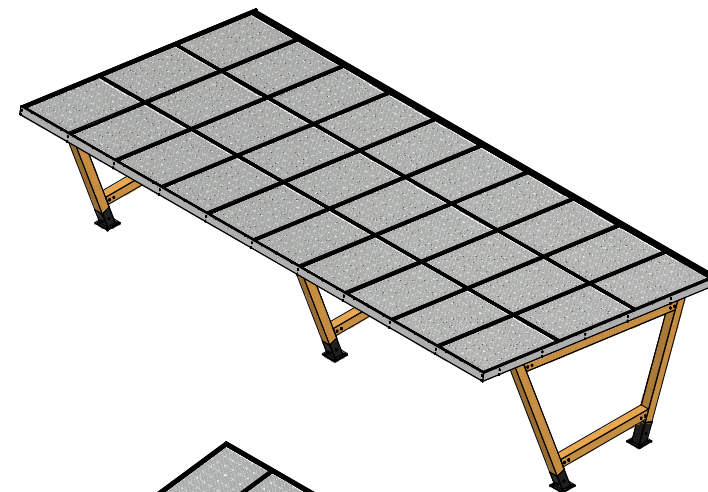
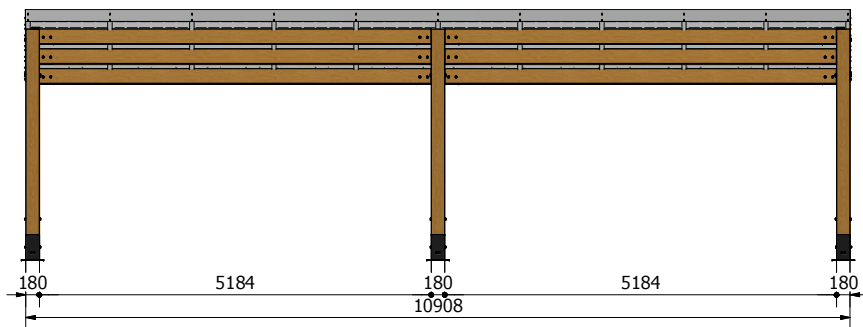
Designed by	Checked by	Approved by	Date	Date
LKN				28-11-2022
			Solardok Carport	
			Schaal 1:50	Sheet




Designed by LKN			Date 20-1-2023	
			Solardok Detail tekening	
			Sheet 1 / 2	



Designed by	Checked by	Approved by	Date	Date
LKN			28-11-2022	
			Solardok Carport	
			Schaal 1:50	Sheet



Designed by	Checked by	Approved by	Date	Date
LKN				28-11-2022
			Solardok Carport	
			Schaal 1:50	Sheet